



ARP-5517AX

UL C1D2 and NEMA 4X Waterproof Panel PC with 17-inch Touch Screen can Prevent Combustible Dust Explosion

Features

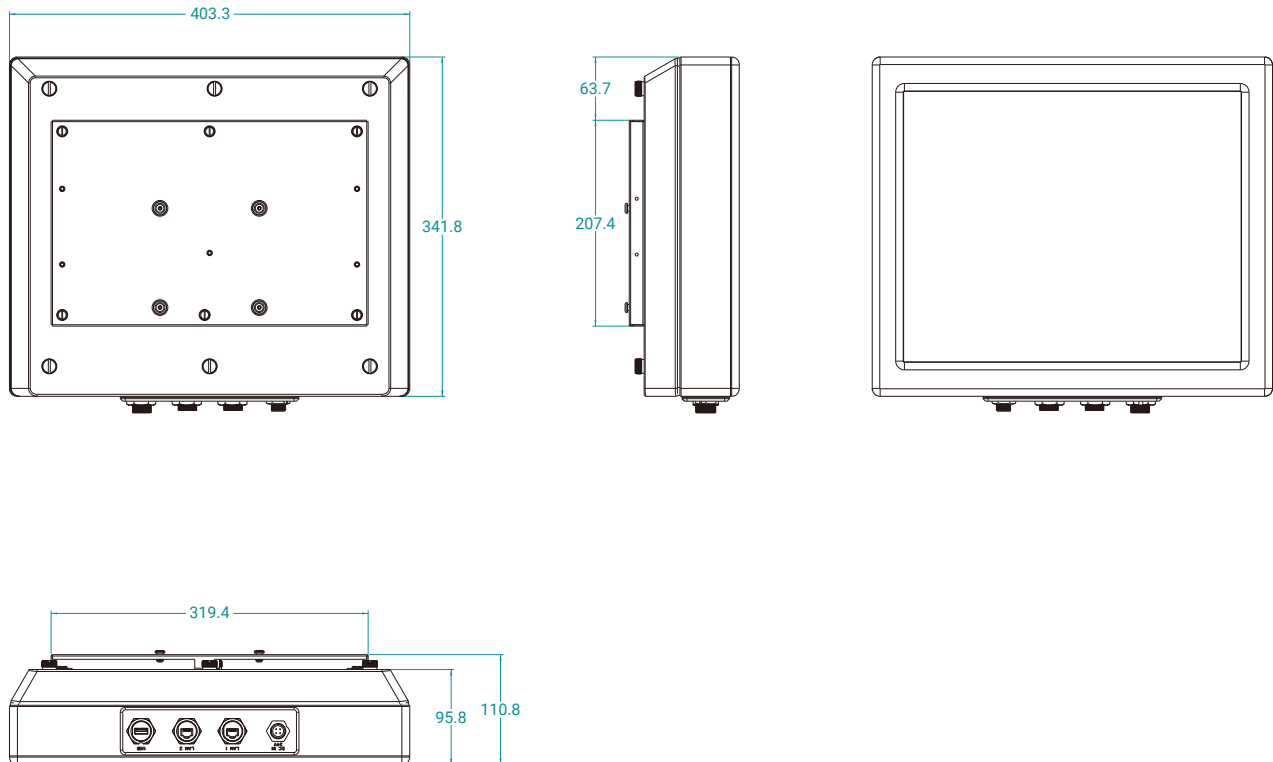
- 17" LCD, 1280 x 1024 Resolution
- 5-Wire Resistive Touch
- Stainless Steel Enclosure
- Meets NEMA 4X requirements
- Intel Celeron J1900 @ 1.99GHz / Atom E3845 @ 1.91 GHz CPU; Intel i7-6600U CPU
- Up to 8GB DDR3/ Up to 16GB DDR4 SO-DIMM
- 1x Gigabit Ethernet
- 2x USB 2.0 ports
- Optional 2.5" SSD
- 24VDC Operating Voltage
- UL Class 1 Division 2 Explosion Proof Certification for Hazardous Locations

Specifications

| Model Name | ARP-5517AX | |
|------------------------------------|---|---|
| | E01 | H01 |
| LCD Display | | |
| Display Size (Diagonal) | 17.0 inch | 17.0 inch |
| Max Resolution | 1280 x 1024 | 1280 x 1024 |
| Backlight Lifetime (Hours) | 50,000 hours | 50,000 hours |
| Visual Characteristics | | |
| Colors | 16.7 million | 16.7 million |
| Aspect Ratio | 5:4 | 5:4 |
| Viewing Angle (V/H) | 160° / 140° | 160° / 140° |
| Contrast Ratio | 800 : 1 | 800 : 1 |
| Brightness | 350 nits (max) | 350 nits (max) |
| Touchscreen | | |
| Technology | 5 Wire Resistive | 5 Wire Resistive |
| Interface | USB | USB |
| Driver | Windows 7 & Windows 10 | Windows 7 & Windows 10 |
| Enclosure | | |
| NEMA 4 | N/A | N/A |
| NEMA 4x | Stainless Steel | Stainless Steel |
| System | | |
| CPU | Intel Celeron J1900 @ 1.99GHz / Atom E3845 @ 1.91 GHz CPU | Intel i7-6600U |
| Chipset | Bay Trail | By CPU |
| Memory | Up to 8GB DDR3L SO-DIMM | Up to 16GB DDR4 SO-DIMM |
| Video Controller | Intel Gen7 Intel Graphics DX 11, OGL3.2 | Intel HD Graphics 520 |
| External Video Output | N/A | N/A |
| Storage Option | Optional 2.5" SSD | Optional 2.5" SSD |
| Compact Flash | N/A | N/A |
| Keyboard / Mouse | USB | USB |
| Audio | N/A | N/A |
| Watchdog Timer | Programmable 1 - 255 sec | Programmable 1 - 255 sec |
| Remote Boot | ThinManager Ready, PXE | N/A |
| Expansion Slot | N/A | N/A |
| I/O Communication | | |
| USB Port | 2 x USB 2.0 | 2 x USB 2.0 |
| Serial Port | N/A | N/A |
| IEEE 1394 | N/A | N/A |
| LAN | 1 x Gigabit | 1 x Gigabit |
| Parallel | N/A | N/A |
| GPIO | N/A | N/A |
| Smart Battery | | |
| External Smart Battery | N/A | N/A |
| OS Support | | |
| OS Support | Windows 7, Windows 10 | Windows 7, Windows 10 |
| Power/Thermal Specs | | |
| Power Requirement (Max) | 24VDC / 1.25A | 24VDC / 2.2A |
| Power Consumption (Max) | 30 W | 51W |
| Recommended Power Supply | 43 W | 75W |
| Heat Dissipation | 103 BTU/hr | 174 BTU/hr |
| Physical Information | | |
| Mounting | Pedestal, VESA, Wall and Ceiling mount, Benchtop | Pedestal, VESA, Wall and Ceiling mount, Benchtop |
| Net Weight | 34 Lbs / 15.42 Kg | 34 Lbs / 15.42 Kg |
| Dimension (W x H x D) | 15.88 x 14.07 x 4.36 inch 403.4 x 357.4 x 110.7 mm | 15.88 x 14.07 x 4.36 inch 403.4 x 357.4 x 110.7 mm |
| Recommended Cutout Dimension (WxH) | N/A | N/A |
| IP/NEMA Rating | Meets NEMA 4X | Meets NEMA 4X |
| Certification | C1D2: UL121201, CSA 22.2 | C1D2: UL121201, CSA 22.2 |
| Environmental | | |
| Operating Temperature | 0~50°C (32~122°F) | 0~50°C (32~122°F) |
| Storage Temperature | -20~60°C (-4~140°F) | -20~60°C (-4~140°F) |
| Relative Humidity | 0~95% | 0~95% |

Dimension Drawing

ARP-5517AX-E01
ARP-5517AX-H01
Size Unit: mm



Ordering Information

| Item | ARP-5517AX-E01-006-C1D2 | ARP-5517AX-E01-094-C1D2 |
|--------------|--|--|
| LCD Display | 17.0" LCD / 1280 x 1024 | 17.0" LCD / 1280 x 1024 |
| Touch Screen | 5-Wire | 5-Wire |
| Enclosure | Stainless Steel | Stainless Steel |
| CPU | Intel Celeron J1900 @ 1.99GHz / Atom E3845 @ 1.91GHz CPU | Intel Celeron J1900 @ 1.99GHz / Atom E3845 @ 1.91GHz CPU |
| Memory | 4GB DDR3 | 8GB DDR3 |
| Storage | N/A | 512GB 2.5" SATA SSD |
| Remote Boot | ThinManager Ready | N/A |
| Power Supply | 24VDC INPUT | 24VDC INPUT |

| Item | ARP-5517AX-H01-094-700-C1D2 |
|--------------|-----------------------------|
| LCD Display | 17.0" LCD / 1280 x 1024 |
| Touch Screen | 5-Wire |
| Enclosure | Stainless Steel |
| CPU | Intel 2.6/3.4 GHz i7-6600U |
| Memory | 16GB DDR4 |
| Storage | 512GB 2.5" SATA SSD |
| Remote Boot | N/A |
| Power Supply | 24VDC INPUT |